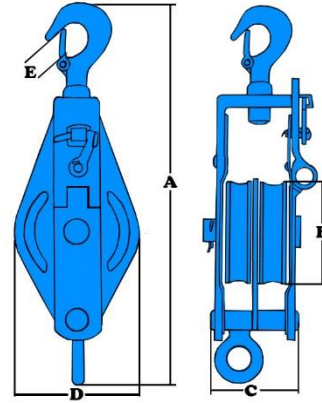




## Snatch Block With Bushed Sheave Swivel Hook Head Fitting Specification Sheet



### SINGLE SHEAVE SNATCH BLOCK

B (inches/mm)	A (mm)	D (mm)	E (mm)	WIRE (mm)	SWL Tonne	Weight (kgs)	Product Code
3	76	300	87	15	0.5	1.75	SNBH075
4	102	345	112	19	1.0	3.20	SNBH100
5	127	395	140	21	1.5	4.44	SNBH125
6	152	465	168	31	2.0	8.25	SNBH150
7	178	530	190	35	3.0	11.50	SNBH175
8	203	615	205	42	4.0	18.00	SNBH200
10	252	770	270	44	5.0	25.10	SNBH250
12	305	890	330	45	6.0	31.00	SNBH300

### DOUBLE SHEAVE SNATCH BLOCK

B (inches/mm)	A (mm)	C (mm)	D (mm)	E (mm)	WIRE (mm)	SWL Tonne	Weight (kgs)	Product Code
3	76	300	81	87	15	0.5	2.00	SNBHD075
4	100	330	107	112	19	1.0	4.10	SNBHD100
5	125	420	117	140	21	1.5	7.20	SNBHD125
6	150	465	128	170	31	2.0	11.50	SNBHD150
7	180	570	140	210	35	3.0	15.00	SNBHD180
8	200	760	206	275	42	5.0	22.00	SNBHD200
12	300	1040	280	345	44	6.0	37.00	SNBHD300