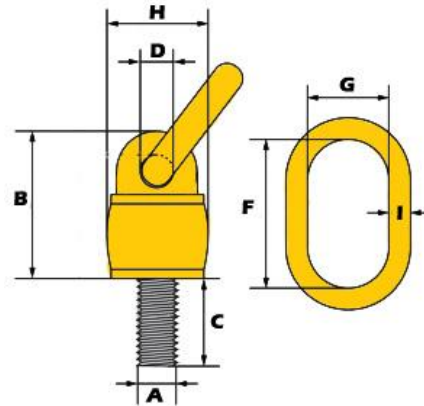


Grade 80 Lifting Swivel Eye Bolt with Link Specification Sheet



- Conforms to BS-EN-1677
- Grade 8 Alloy Steel Certificate of Conformity Provided
- Durable Yellow Painted Finish
- Can be Rotated through 360°
- Allows Full Range of Movement
- Factor of Safety is 4:1 in all Directions

SWL (0°) Tonne	SWL (90°) Tonne	A (mm)	B (mm)	C (mm)	D (mm)	F (mm)	G (mm)	H (mm)	I (mm)	Weight (kgs)	Product Code
0.6	0.30	8	54	12	15.0	52.5	29.0	36.0	14.0	0.49	SEBL08
0.9	0.45	10	54	19	15.0	51.5	31.0	36.0	14.5	0.47	SEBL10
1.0	0.50	12	54	17	15.5	52.0	29.0	36.0	14.0	0.47	SEBL12
2.0	1.12	16	53	19	16.5	52.0	29.0	36.0	14.0	0.48	SEBL16
4.0	2.00	20	89	30	18.5	70.0	32.5	49.5	16.0	0.98	SEBL20
6.3	3.15	24	80	30	21.5	83.0	38.5	57.0	18.0	1.48	SEBL24
10.6	5.30	30	98	35	23.0	82.0	38.0	66.0	19.0	1.50	SEBL30
11.8	8.00	36	112	49	25.0	114.0	51.5	80.0	22.0	3.72	SEBL36