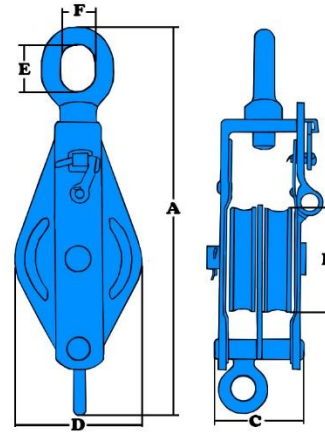


Snatch Block With Bushed Sheave Swivel Oval Eye Head Fitting Specification Sheet



SINGLE SHEAVE SNATCH BLOCK

B (inches/mm)	A (mm)	C (mm)	D (mm)	E (mm)	F (mm)	WIRE (mm)	SWL Tonne	Weight (kgs)	Product Code	
3	76	295	40	87	32	22	8	0.5	1.7	SNBE075
4	102	338	50	112	42	27	10	1.0	3.1	SNBE100
5	127	386	56	140	44	31	13	1.5	4.4	SNBE125
6	152	455	60	168	53	37	16	2.0	8.2	SNBE150
7	178	518	70	190	68	42	19	3.0	11.5	SNBE175
8	203	602	78	205	89	52	22	4.0	17.5	SNBE200
10	252	753	82	270	90	54	25	5.0	25.0	SNBE250
12	305	890	106	330	111	66	25	6.0	30.0	SNBE300

DOUBLE SHEAVE SNATCH BLOCK

B (inches/mm)	A (mm)	C (mm)	D (mm)	E (mm)	F (mm)	WIRE (mm)	SWL Tonne	Weight (kgs)	Product Code	
3	75	280	80	87	33	23	8	0.5	2.4	SNBED075
4	100	325	91	112	37	27	10	1.0	4.5	SNBED100
5	125	395	117	140	43	30	13	1.5	7.8	SNBED125
6	150	445	128	165	52	35	16	2.0	13.0	SNBED150
7	178	545	138	205	67	41	19	3.0	17.0	SNBED175
8	203	602	205	130	86	50	22	4.0	24.0	SNBED200
10	250	720	205	270	74	49	25	5.0	37.0	SNBED250
12	300	995	300	340	79	54	26	6.0	52.0	SNBED300