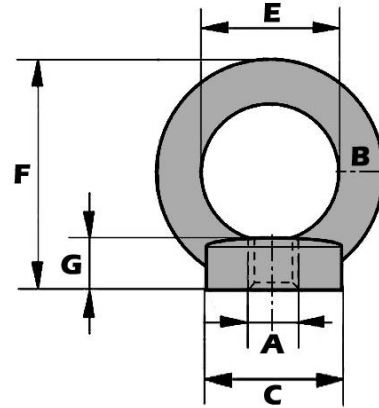




Drop Forged Eyenuts British Pattern BSW Internal Thread Specification Sheet



A (inches)	B (mm)	C (mm)	E (mm)	F (mm)	G (mm)	SWL Tonne	Weight (kgs)	Product Code
3/8"	9	22	25	49	14	0.25	0.30	IENB10
1/2"	13	22	44	78	22	0.50	0.32	IENB12
5/8"	13	29	44	78	22	0.80	0.34	IENB16