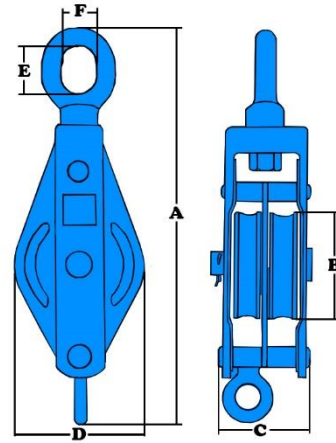


## Universal Cargo Block with Bushed Sheave Swivel Oval Eye Head Fitting Specification Sheet



### SINGLE SHEAVE

B (inches/mm)	A (mm)	C (mm)	D (mm)	E (mm)	F (mm)	WIRE (mm)	SWL Tonne	Weight (kgs)	Product Code	
3	76	295	40	87	32	22	8	0.5	1.65	SBE075
4	102	338	50	112	42	27	10	1.0	3.10	SBE100
5	127	386	56	140	44	31	13	1.5	4.40	SBE125
6	152	455	60	168	53	37	16	2.0	8.20	SBE150
7	178	518	70	190	68	42	19	3.0	11.50	SBE175
8	203	602	78	205	89	52	22	4.0	17.50	SBE200
10	252	753	82	270	90	54	25	5.0	25.00	SBE250
12	305	890	106	330	111	66	25	6.0	35.00	SBE300

### DOUBLE SHEAVE

B (inches/mm)	A (mm)	C (mm)	D (mm)	E (mm)	F (mm)	WIRE (mm)	SWL Tonne	Weight (kgs)	Product Code	
3	76	300	87	65	31	22	8	0.5	2.4	DBE075
4	102	345	112	79	36	25	10	1.0	4.5	DBE100
5	125	395	140	93	43	31	13	1.5	7.8	DBE125
6	152	465	168	105	54	36	16	2.0	13	DBE150
7	175	530	190	120	70	43	19	3.0	17	DBE180
8	203	615	205	130	86	50	22	4.0	24	DBE200
10	254	770	270	135	86	56	25	5.0	37	DBE250
12	305	860	335	225	86	56	25	6.0	52	DBE300