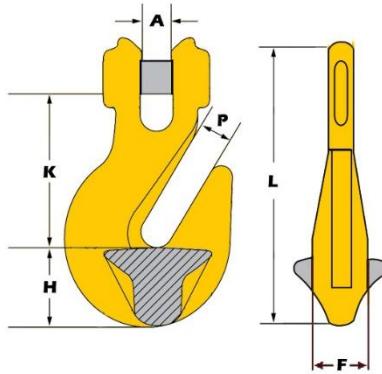


Grade 80 Clevis Type Grab Hook Specification Sheet



- BS-EN 1677-1+2
- Grade 8 Alloy Steel
- Certificate of Conformity Provided
- Durable Yellow Painted Finish
- Works for many Applications
- For Shortening Leg Length on Chain Sling
- Clevis Fitment so no Need for Component Connector

Size Chain (mm)	A (mm)	P (mm)	H (mm)	K (mm)	L (mm)	F (mm)	WLL Tonne	Weight (kgs)	Product Code
7-8	9	10	25	55	93	30	2.00	0.3	YASCGH07
10	12	13	35	74	128	41	3.15	0.8	YASCGH10
13	15	16	42	93	152	53	5.30	1.5	YASCGH13
16	17	20	45	102	180	58	8.00	2.9	YASCGH16
18-20	23	25	54	124	217	98	12.50	5.0	YASCGH20
22	25	27	59	148	237	110	15.00	6.2	YASCGH22