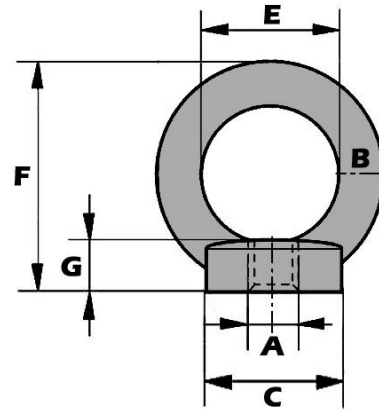




Drop Forged Eyenuts British Pattern Metric Internal Thread Specification Sheet



A (mm)	B (mm)	C (mm)	E (mm)	F (mm)	G (mm)	SWL Tonne	Weight (kgs)	Product Code
10	9	22	25	49	14	0.30	0.10	MEN10
12	13	22	44	78	22	0.50	0.12	MEN12
16	13	29	44	78	22	0.80	0.12	MEN16
20	16	29	49	84	26	1.20	0.30	MEN20
22	16	39	49	84	26	1.60	0.35	MEN22
24	21	39	52	111	44	2.20	0.80	MEN24