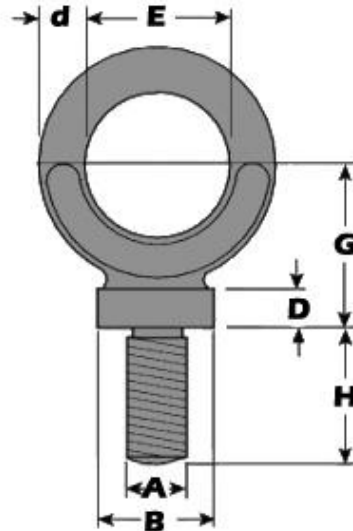


Dynamo Eyebolt to BS4278 Part 3 1984 (Tested and Certified) Specification Sheet



- Dynamo Eyebolts to BS 4278 Part 3 1984
- Certifications of Conformity can be Provided
- Available Self Colour or Zinc Plated Finish
- Dynamo Eyebolts have a Larger Eye that Allows Greater Amount of Attachments to be Fitted and Wider Range of Applications
- Vertical Lift Only
- Can be Stamped and Tested

A (mm)	B (mm)	D (mm)	d (mm)	E (mm)	G (mm)	H (mm)	SWL Tonne	Weight (kgs)	Product Code
10	17	5	9	22	27	18	0.23	0.08	MDE310
12	17	5	9	22	27	18	0.32	0.08	MDE312
16	23	6	11	29	34	23	0.63	0.14	MDE316
20	32	9	15	40	47	32	1.25	0.40	MDE320
24	40	12	19	51	60	40	2.00	0.78	MDE324