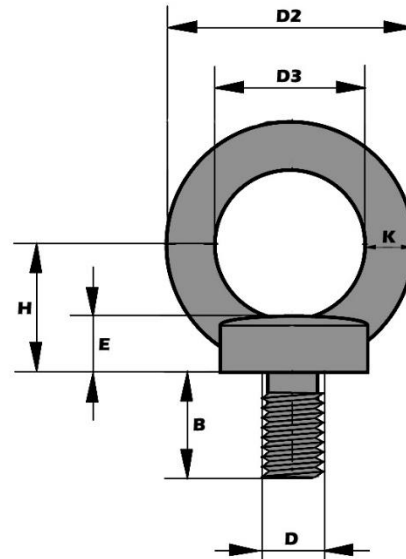


Eyebolts to DIN580: 2010 Specification Sheet



- * Available in Zinc Plated
- Safe Working Load based on vertical Lift

| D (mm) | D2 (mm) | D3 (mm) | B (mm) | E (mm) | H (mm) | K (mm) | SWL Tonne | Weight (kgs) | Product Code |
|--------|---------|---------|--------|--------|--------|--------|-----------|--------------|--------------|
| 6 | 36 | 20 | 13 | 6 | 18 | 6 | 0.07 | 0.06 | DINEB06 |
| 8 | 36 | 20 | 13 | 6 | 18 | 8 | 0.14 | 0.08 | DINEB08* |
| 10 | 45 | 25 | 18 | 8 | 22 | 10 | 0.23 | 0.11 | DINEB10* |
| 12 | 54 | 30 | 22 | 10 | 26 | 12 | 0.34 | 0.18 | DINEB12* |
| 16 | 63 | 35 | 28 | 12 | 30 | 14 | 0.70 | 0.28 | DINEB16* |
| 20 | 72 | 40 | 30 | 12 | 35 | 16 | 1.20 | 0.45 | DINEB20* |
| 24 | 90 | 50 | 38 | 16 | 45 | 20 | 1.80 | 0.87 | DINEB24* |
| 30 | 108 | 60 | 45 | 25 | 55 | 24 | 3.20 | 1.66 | DINEB30 |
| 36 | 126 | 70 | 54 | 26 | 64 | 28 | 4.60 | 2.65 | DINEB36 |
| 42 | 144 | 80 | 63 | 30 | 73 | 32 | 6.30 | 4.03 | DINEB42 |
| 48 | 166 | 90 | 68 | 35 | 84 | 38 | 8.60 | 6.38 | DINEB48 |