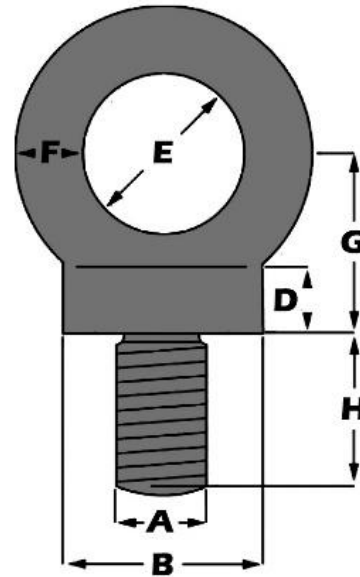




## Long Shank Collared Eyebolt to BS529 Part 1 1944 (Tested and Certified) Specification Sheet



- \* Available in Zinc Plated
- Safe Working Load based on vertical Lift

A (mm)	B (mm)	D (mm)	E (mm)	F (mm)	G (mm)	H (mm)	SWL Tonne	Weight (kgs)	Product Code
10	22	7	15	9	20	178	0.33	0.07	MCEL10
12	22	7	15	9	20	178	0.40	0.07	MCEL12
16	29	10	20	12	26	178	0.80	0.16	MCEL16
20	40	14	27	16	36	178	1.60	0.44	MCEL20
22	45	15	30	18	40	178	1.60	0.56	MCEL22
24	52	17	35	21	46	178	2.50	0.84	MCEL24
30	65	22	44	26	58	178	4.00	1.66	MCEL30