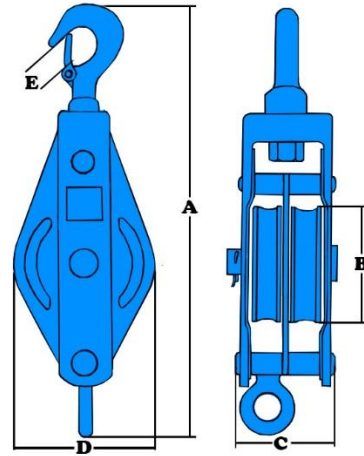




## Universal Cargo Block with Bushed Sheave Swivel Hook Head Fitting Specification Sheet



### SINGLE SHEAVE

B (inches/mm)	A (mm)	C (mm)	D (mm)	E (mm)	WIRE (mm)	SWL Tonne	Weight (kgs)	Product Code
3	76	295	40	87	15	0.5	1.65	SBH075
4	102	338	50	112	19	1.0	3.10	SBH100
5	127	386	56	140	21	1.5	4.40	SBH125
6	152	455	60	168	31	2.0	8.20	SBH150
7	178	518	70	190	35	3.0	11.50	SBH175
8	203	602	78	205	42	4.0	17.50	SBH200
10	252	753	82	270	44	5.0	25.00	SBH250
12	305	890	106	330	45	6.0	35.00	SBH300

### DOUBLE SHEAVE

B (inches/mm)	A (mm)	C (mm)	D (mm)	E (mm)	WIRE (mm)	SWL Tonne	Weight (kgs)	Product Code
3	76	300	87	65	15	0.5	2.4	DBH075
4	102	345	112	79	19	1.0	4.5	DBH100
5	125	395	140	93	21	1.5	7.8	DBH125
6	152	465	168	105	31	2.0	13	DBH150
7	175	530	190	120	35	3.0	17	DBH180
8	203	615	205	130	42	4.0	24	DBH200
10	254	770	270	135	44	5.0	37	DBH250
12	305	860	335	225	45	6.0	52	DBH300