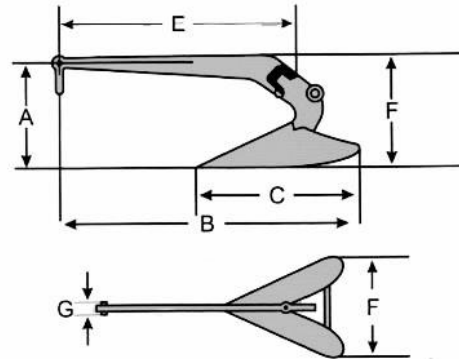


Galvanised Plough Anchors Specification Sheet



- Also Available in Stainless Steel

Size (kgs)	A (mm)	B (mm)	C (mm)	E (mm)	F (mm)	G (mm)	Product Code
5	200	590	320	455	210	16	ANP05
7	206	620	325	500	235	16	ANP07
8	215	660	366	560	250	17	ANP08
9	225	750	390	605	270	17	ANP09
12	315	790	410	655	285	20	ANP12
16	325	890	445	740	320	23	ANP16
22	470	900	420	695	320	21	ANP22
24	515	930	500	745	320	27	ANP24
35	580	1120	530	920	380	30	ANP35