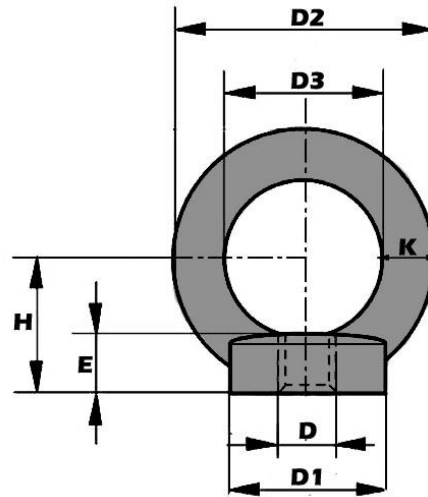




Lifting Eye nut to DIN582: 2010 Specification Sheet



- * Available in Zinc Plated
- Safe Working Load based on vertical Lift

D (mm)	D1 (mm)	D2 (mm)	D3 (mm)	E (mm)	H (mm)	K (mm)	SWL Tonne	Weight (kgs)	Product Code
6	20	36	20	8.5	18	6	0.07	0.05	DINEN06
8	20	36	20	8.5	18	8	0.14	0.05	DINEN08*
10	25	45	25	10	22	10	0.23	0.09	DINEN10*
12	30	54	30	11	26	12	0.34	0.16	DINEN12*
16	35	63	35	13	30	14	0.70	0.30	DINEN16*
20	40	72	40	16	35	16	1.20	0.36	DINEN20*
24	50	90	50	20	45	20	1.80	0.72	DINEN24*
30	60	108	60	25	55	24	3.20	1.32	DINEN30*
36	75	126	70	26	64	28	4.60	2.08	DINEN36*
42	85	144	80	30	73	32	6.30	3.11	DINEN42
48	100	166	90	35	84	38	8.60	5.02	DINEN48
56	110	184	100	38	93	42	11.50	7.00	DINEN56
64	120	206	120	42	104	48	16.00	9.40	DINEN64