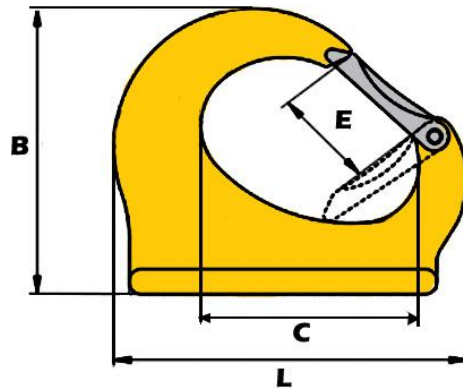




Grade 80 Weld on Hook Specification Sheet



- Grade 8 Alloy Steel
- Certificate of Conformity Provided
- Durable Yellow Painted Finish
- Weld on Hook has use for many Lifting Applications
- Spring Loaded Gate Allows for Extra Safety and Security When Lifting
- Welding must be Carried out by a Qualified Person

E (mm)	B (mm)	C (mm)	L (mm)	WLL (Tonne)	BL (Tonne)	Weight (kgs)	Product Code
31.5	92.0	67.0	114	2	8	0.83	YASWH02
31.5	106.0	73.5	129	3	12	1.18	YASWH03
33.0	136.0	94.0	171	5	20	2.50	YASWH05
33.0	140.0	94.0	177	8	32	3.26	YASWH08
55.0	200	134.5	223	10	40	5.17	YASWH10