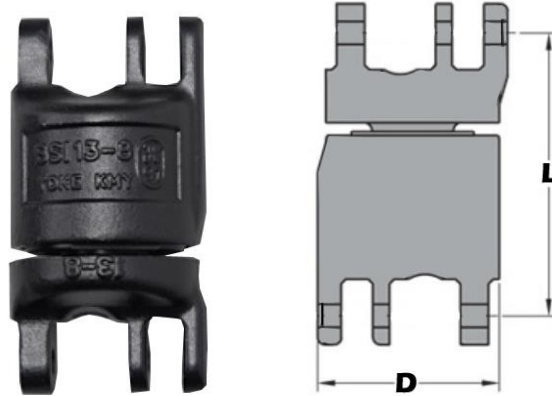




Grade 80 Insulated Blank Swivels with Ball Bearings Specification Sheet



- BS-EN 1677-1
- Grade 8 Alloy Steel
- Certificate of Conformity Provided
- Durable Yellow Paint Finish
- For use with Grade 8 Fittings and Fixtures
- Ball Bearing Swivel to Operate Under Load
- Insulated and Individually Tested to Resist 150 Volts
- Attach Swivel with Half Coupling Link (YASHCL Range)

Size Chain (mm)	D (mm)	L (mm)	WLL (Tonne)	Weight (kgs)	Product Code
7-8	50	70	2.00	0.9	IBS07
10	62	86	3.15	1.8	IBS10
13	77	115	5.30	3.0	IBS13
16	94	134	8.00	6.0	IBS16
18-20	109	156	12.50	8.8	IBS20