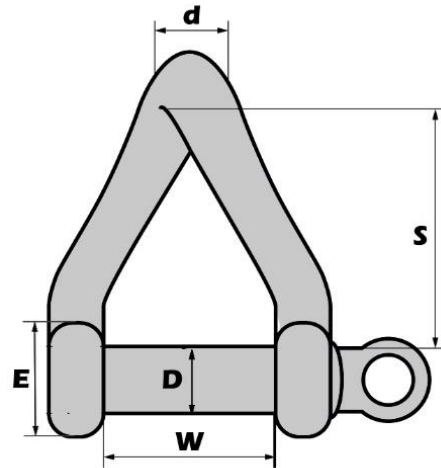
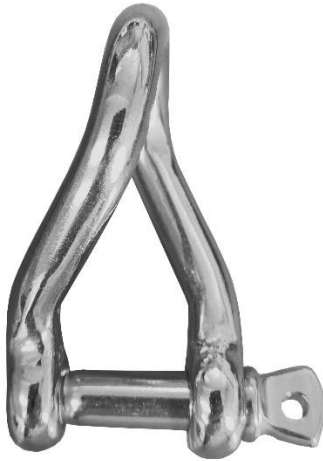




Stainless Steel Twisted Shackle with Screw Collar Pin Specification Sheet



- NOT TO BE USED FOR LIFTING
- AISI 316 Material

| d (mm) | D (mm) | S (mm) | W (mm) | E (mm) | Weight (kgs/100) | Product Code |
|-----------|-----------|-----------|-----------|-----------|---------------------|--------------|
| 4 | 4 | 11 | 8 | 8 | 1.2 | SST04 |
| 5 | 5 | 21 | 10 | 10 | 1.4 | SST05 |
| 6 | 6 | 26 | 12 | 12 | 2.3 | SST06 |
| 8 | 8 | 34 | 16 | 16 | 5.5 | SST08 |
| 10 | 10 | 40 | 20 | 20 | 15.0 | SST10 |
| 12 | 12 | 48 | 24 | 24 | 23.0 | SST12 |